



## Vacuum Controller with Continuous Valves

**Absolute Pressure 1400 - 0.001 mbar (Torr) VD9CV**

Complete set for continuous vacuum control with transducer(s) and proportional valves for evacuation and venting.

Precise and smooth fuzzy-3-state-regulation for optimal process control.

The robust, shielded 19"-metal-cassette 14 TE x 3 HE and a protective front foil guarantee reliable and safe operation.



### Typical Applications

- ▶ Intelligent control unit for regulating process pressure in the rough and fine vacuum range
- ▶ Optimization of processes and products
- ▶ Regulation of pressure ramps and profiles via RS232 (external setpoint programming)
- ▶ Process automation
- ▶ Chemical process engineering, analytical applications
- ▶ Appliance engineering

### Your Benefits

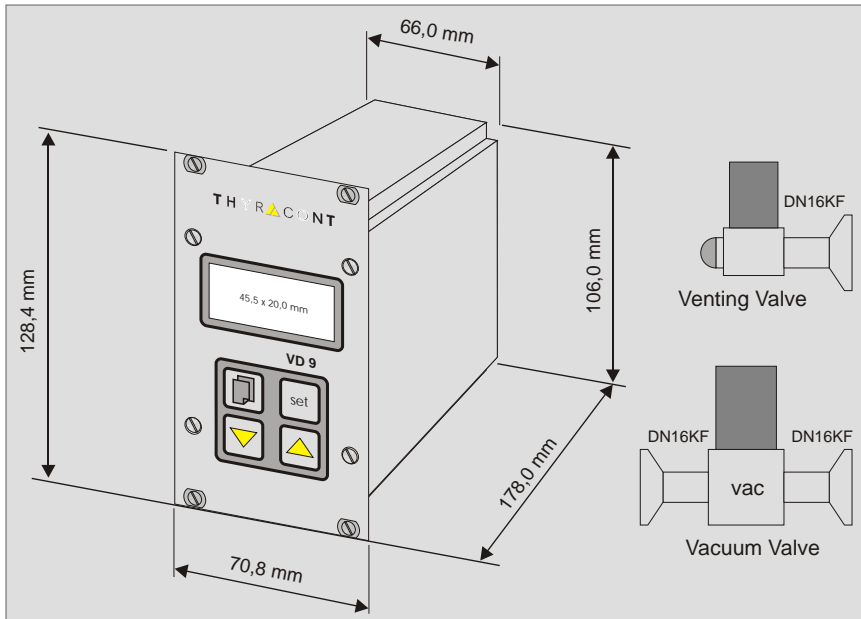
- ▶ Superior control-characteristic and accuracy
- ▶ Complete with silent, continuously regulated stainless steel valves for evacuation and venting
- ▶ Simple wiring, valves are directly supplied by the controller
- ▶ Supports programming of setpoints via serial interface (ramps, etc.)
- ▶ Worldwide use by switched mode power supply 95 - 265 VAC
- ▶ Pressure display in mbar, Torr, hPa
- ▶ 1-channel-controller, can be combined with 2 transducers for covering a wider range (e.g. 1400-0,001mbar) generating *one* continuous pressure display
- ▶ Intuitive operation
- ▶ Bright LCD-display with background illumination
- ▶ Shielded 19"-cassette with foil-protected front panel
- ▶ VacuGraph-software: documentation and evaluation of vacuum processes, programming setpoints and time based pressure profiles, remote control



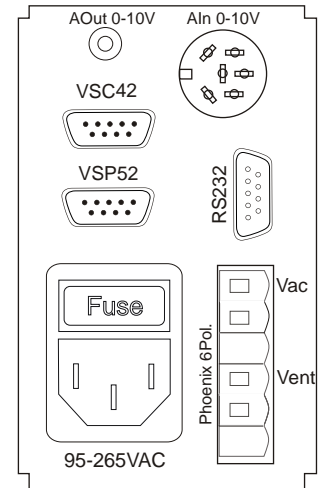
# Vacuum Controller with Continuous Valves

**Absolute Pressure 1400 - 0.001 mbar (Torr)**

**VD9CV**



Pin configuration (rear side)



## Technical Data

Measuring Range	1400 - 1.0e-3 mbar depending on transducer type for max. 2 transducers
Measurement Display	Floating point: 2 - 4 digits exponential, 2digits mantissa, 1 digit exponent
Accuracy	depending on transducer type, additionally 0,06% f.s. +/- 1 digit
Measuring Rate	50 ms
Operating Temperature	5 ... 50°C
Storage Temperature	-20 ... +60°C
Power Supply	95 - 265 VAC 50/60 Hz
Power Consumption	max. 15 W incl. transducer
Transducer Power Supply	24 VDC, together max. 2 W
Signal Input	each 1 x SubD 9pin, female, 4-20mA 1400-1mbar for VSC42MA4 4-20mA (1000...)20-0,001mbar for VSP52MA4
Power Supply Valves	24 VDC, max. 8 W each valve
Control Outputs	2x transistor-output for 24V-valve
Analog Output	recorder output 0 - 10 VDC / max. 10kW
Display	alphanumeric LCD-display, background illumination, 4 digits 45 x 20 mm
Weight	770 g (without valves)

## Article Numbers

### ▶ VD92CV (1400 - 1 mbar)

Set: VD9CV, transducer VSC42MA4, valves VPROP40 and VPROP16, cables 2 m

### ▶ VD95CV (1400 - 0.001 mbar)

As above, with additional transducer VSP52MA4 and cable 2 m

Accessories:

### ▶ VPROP16 / VPROP40

Continuous valve, stainless steel, 24VDC, NW 1,6mm / NW 4mm

### ▶ DC1VV

On/Off-Valve, nickel coated, 24VDC, NW 2,2

### ▶ DC1VCR

On/Off-Valve PTFE, 24VDC, NW 4

### ▶ W0900002 / W0900006

Measuring cable, shielded, 2 m / 6 m

### ▶ W080002

PC cable, shielded, 2 m

### ▶ VGR

VacuGraph-Windows-Software

Thyracont Vacuum Instruments GmbH  
Max-Emanuel-Str. 10, D-94036 Passau  
Phone: ++49/(0)851/95986-0; Fax: ++49/(0)851/95986-40  
Internet: www.thyracont.com; E-Mail: info@thyracont.de