



Compact Vacuum Meter / Data Logger

Absolute Pressure 1200 - 5.0×10^{-4} mbar (Torr) VD85M

The digital vacuum meter VD85M reads pressure over 7 decades in the rough and fine vacuum range.

It uses a sensor combination of piezo and Pirani, which guarantees high resolution and precision over the whole range.

It is optionally available with infrared interface and can be used as data logger.

The VD85M can be operated with either battery or plug in power supply making it ideal for portable or stationary applications.



Typical Applications

- ▶ Checking and setup of vacuum appliances
- ▶ Diagnosis and documentation for vacuum pumps
- ▶ Service and maintenance
- ▶ Graphical evaluation of processes
- ▶ Modern teaching aid with PC interface
- ▶ Coating plants
- ▶ Chemical process engineering
- ▶ Evaporators
- ▶ Leakage testing

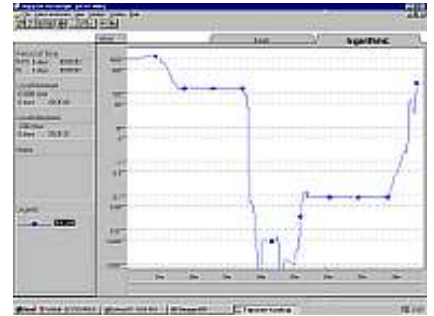
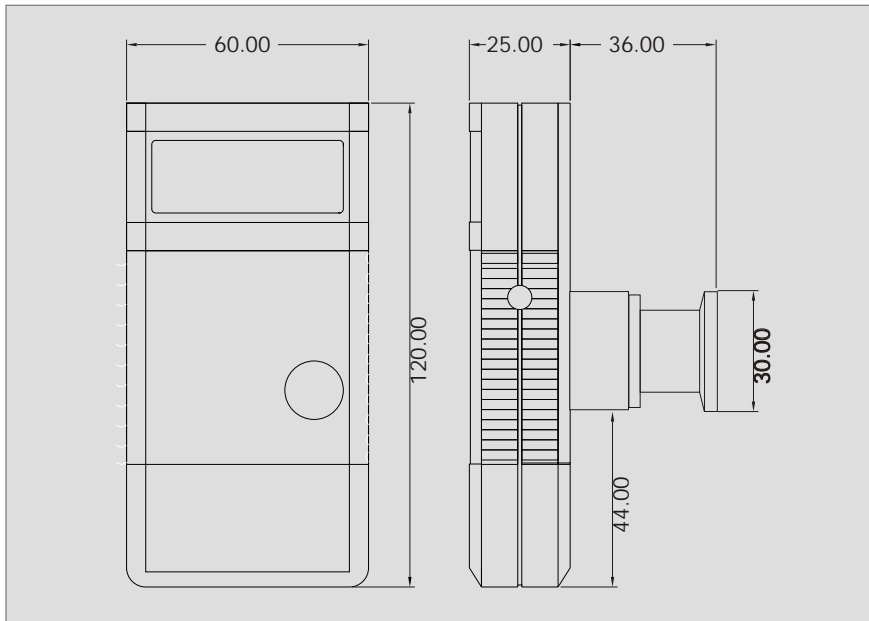
Your Benefits

- ▶ High precision and optimal resolution over the whole range
- ▶ Rugged combined sensor
- ▶ Continuous pressure display over the whole range
- ▶ Excellent long term stability
- ▶ Pressure units mbar, Torr, hPa
- ▶ The Pirani sensor is active only below 40 mbar (where no explosive gas atmosphere exists)
- ▶ Choice between automatic switch off and continuous operation
- ▶ Exact and simple readjustment by push of a button
- ▶ Bidirectional infrared interface (VD85MIR)
- ▶ Online data transfer to PC (VD85MIR)
- ▶ Data logger function: Save measurements in the vacuum meter and afterwards transfer the data to PC by push of a button (VD85MIR)
- ▶ Min/Max memory: Storage and display of high and low values
- ▶ VacuGraph software for saving and plotting measurements on a PC
- ▶ Stainless steel small flange connection



Compact Vacuum Meter / Data Logger

Absolute Pressure 1200 - 5.0×10^{-4} mbar (Torr) VD85M



Technical Data

Measurement Principle	Piezoresistive / Pirani
Materials In Contact With Vacuum	Stainless steel, gold, nickel, tungsten, Viton
Measurement Range	1200 - 5.0×10^{-4} mbar (900 - 5.0×10^{-4} Torr) admitted overload: 2 bar abs.
Accuracy	1200-10 mbar: 0.4% full scale 10-0.01 mbar: ca. 10% from reading < 0.01 mbar: < factor 2
Measuring Rate	1.6 s
Operating Temperature	5 ... 50°C
Storage Temperature	-20 ... +60°C
Power Supply	9V battery block or 12VDC external (plug in power supply)
Power Consumption	Approx. 110 mW (clocked measurement) additionally 25 mW during data transfer
Electrical Connection	Jack for external mains adapter
Vacuum Connection	Stainless steel small flange DN 16 KF
Operation Time (without data transfer)	a) 9V Lithium battery ca. 100 h b) 9V Alkali-Mangan battery, ca. 40 h
Display	LCD 12mm
Infrared Interface	VD85MIR only: range 1.2 m
Data Memory	VD85MIR only: approx. 2000 data records
Weight	Approx. 230 g (incl. battery)

Article Number

▶ VD85M

Compact vacuum meter
1200- 5.0×10^{-4} mbar, DN16KF flange

▶ VD85MIR

As above, additional IR interface

Accessories:

▶ VD8CASE

Protective case

▶ VD8ALK

AlMn battery, 9V-block 6LR

▶ VD8N2

External plug in power supply

▶ VD8ANS

Connection set with tee DN16KF, 2
centering rings and 2 clamps

▶ VD8IRA

IR adapter for serial PC interface

▶ VGR

VacuGraph Windows software

Thyracont Vacuum Instruments GmbH
Max-Emanuel-Str. 10, D-94036 Passau

Phone: ++49/(0)851/95986-0; Fax: ++49/(0)851/95986-40

Internet: www.thyracont.com; E-Mail: info@thyracont.de