



Compact Vacuum Meter / Data Logger

Absolute Pressure 1600 - 1 mbar (Torr)

VD81MC

The versatile digital vacuum meter VD81MC measures absolute pressure in the rough vacuum range.

It is optionally available with infrared interface and can be used as data logger.

The VD81MC can be operated with either battery or plug in power supply making it ideal for portable or stationary applications.



Typical Applications

- ▶ Check and setup of vacuum plants
- ▶ Operation control and documentation at vacuum plants and pumps
- ▶ Service and maintenance
- ▶ Modern teaching aid with PC interface
- ▶ Replacement of mercury manometers in research and teaching, laboratories and manufacturing
- ▶ Packing machines
- ▶ Analysis instruments
- ▶ Vacuum furnaces
- ▶ Chemical process engineering

Your Benefits

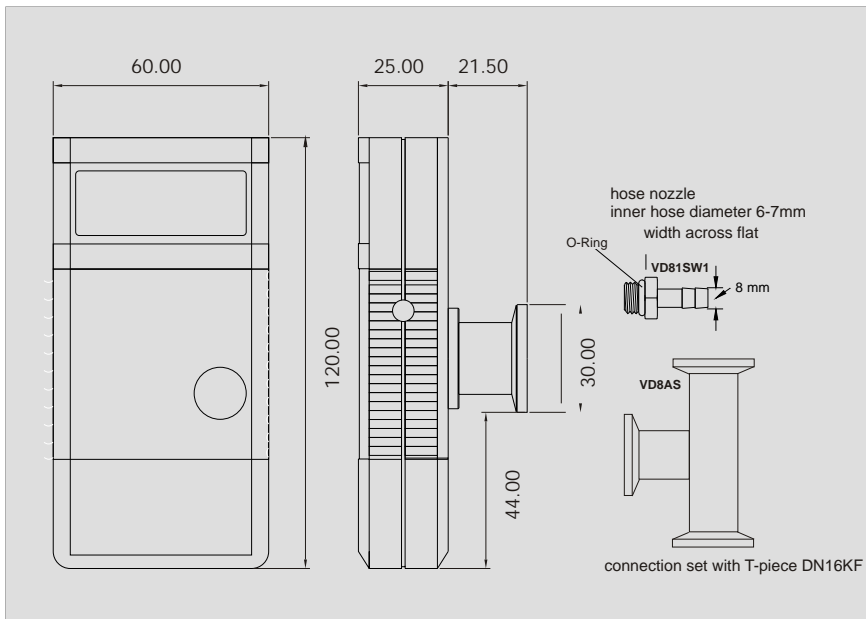
- ▶ Compact, easy to handle, user friendly
- ▶ Chemically resistant ceramic sensor
- ▶ Up to 5000hrs battery life
- ▶ High accuracy
- ▶ Excellent long term stability
- ▶ Pressure units mbar, Torr, hPa
- ▶ Exact and easy readjustment by push of a button
- ▶ Choice between automatic switch off and continuous operation
- ▶ Bidirectional infrared interface (VD81MCIR)
- ▶ Online data transfer to a PC (VD81MCIR)
- ▶ Data logger functionality: Save measurements in the vacuum meter and afterwards transfer the data to PC by push of a button (VD81MCIR)
- ▶ Min/Max memory: Storage and display of high and low values
- ▶ VacuGraph Software for saving and plotting measurements on a PC
- ▶ Vacuum connection by small flange or screw in nozzle



Compact Vacuum Meter / Data Logger

Absolute Pressure 1600 - 1 mbar (Torr)

VD81MC



Technical Data

Measurement Principle	Piezoresistive
Materials in Contact with Vacuum	Stainless steel, Al ₂ O ₃ -ceramic, Viton
Measurement Range	1600 - 1 mbar (1200 - 1 Torr) admitted overload: 4 bar abs.
Resolution	1 mbar (Torr)
Accuracy	Typ. ±0,3% full scale (linearity, hysteresis, repeatability)
Measuring Rate	1,0 s (100 ms in data logger mode)
Operating Temperature	0 ... 50°C
Storage Temperature	-20 ... +60°C
Power Supply	9V battery block (alternatively NiMh accu) or 12VDC external (plug in power supply)
Power Consumption	Approx. 2 mW (clocked measurement), additionally 25 mW during data transfer
Electrical Connection	Jack for external mains adapter
Vacuum Connection	DN 16 KF with G1/4 inside thread
Operation Time (without data transfer)	9V lithium battery: max. 5000 h 9V Alkaline 6LR61 battery: max. 2500 h 9V accu 150mA: max. 500 h
Display	LCD 12mm
Infrared Interface	VD81MCIR only: range 1,2 m
Data Memory	VD81MCIR only: approx. 1000 data records
Weight	Approx. 200 g (battery included)

Article Number

▶ VD81MC

Compact vacuum meter 1600-1 mbar,
DN16KF flange + G1/4 inside thread

▶ VD81MCIR

As above, additional IR interface

Accessories:

▶ VD8CASE

Protective case

▶ VD8ALK

AlMn battery, 9V block 6LR61

▶ VD81NETZ

9-V accu with plug in power supply

▶ VD8N2

Plug in power supply

▶ VD81SW1

Hose nozzle, nickel coated brass

▶ VD8ANS

Connection set with tee DN16KF, 2
centering rings and 2 clamps

▶ VD8IRA

IR adapter for serial PC interface

▶ VGR

VacuGraph software

Thyracont Vacuum Instruments GmbH
Max-Emanuel-Str. 10, D-94036 Passau

Phone: ++49/(0)851/95986-0; Fax: ++49/(0)851/95986-40
Internet: www.thyracont.com; E-Mail: info@thyracont.de