



TRP-6,TRP-12



TRP-24,TRP-36

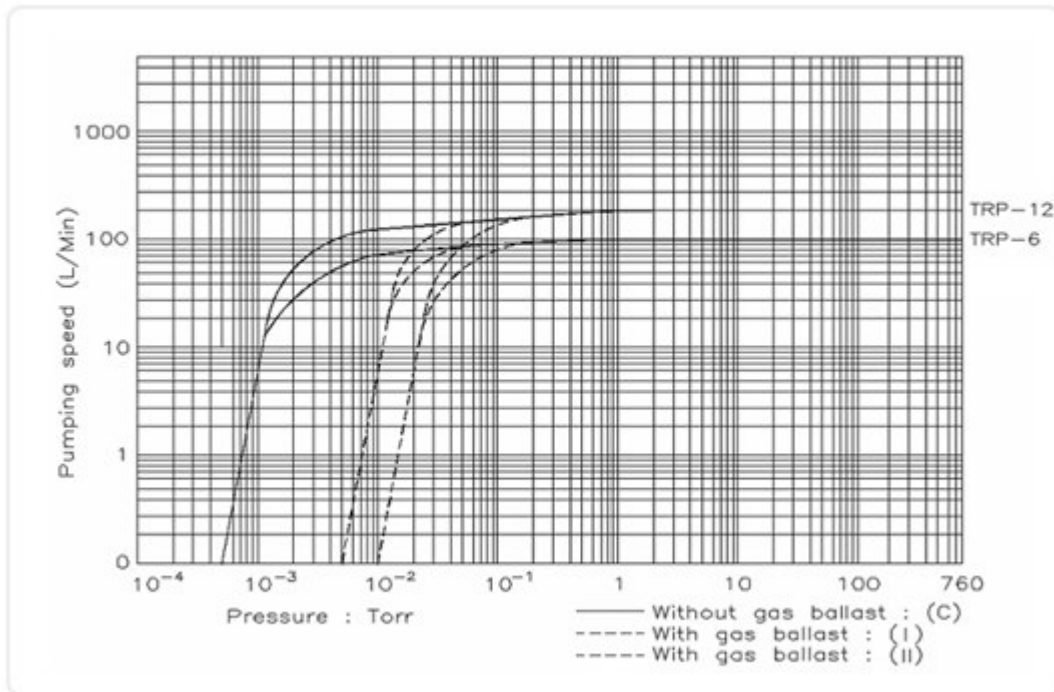


TRP-48,TRP-60,TRP-90

### TRP-6,TRP-12 TECHNICAL DATA

		UNIT	TRP-6	TRP-12
Displacement Speed	60Hz	ℓ /min	100	200
	50Hz	ℓ /min	80	170
Ultimate pressure	Gas ballast C	Torr	$5 \times 10^{-4}$	$5 \times 10^{-4}$
	Gas ballast I	Torr	$5 \times 10^{-3}$	$5 \times 10^{-3}$
	Gas ballast II	Torr	$1 \times 10^{-2}$	$1 \times 10^{-2}$
Water vapor tolerance		Torr	40	40
Oil Filling		ℓ	0.9	1.1
Inlet port		DN	25KF	25KF
Outlet port		DN	25KF	25KF
Motor Power		kW	0.4	0.4
Rotational speed of pump	60Hz	R.P.M	1750	1750
	50Hz	R.P.M	1450	1450
Noise level(without gas ballast)		dB	50	50
Weight(with motor)		Kg	22.5	24

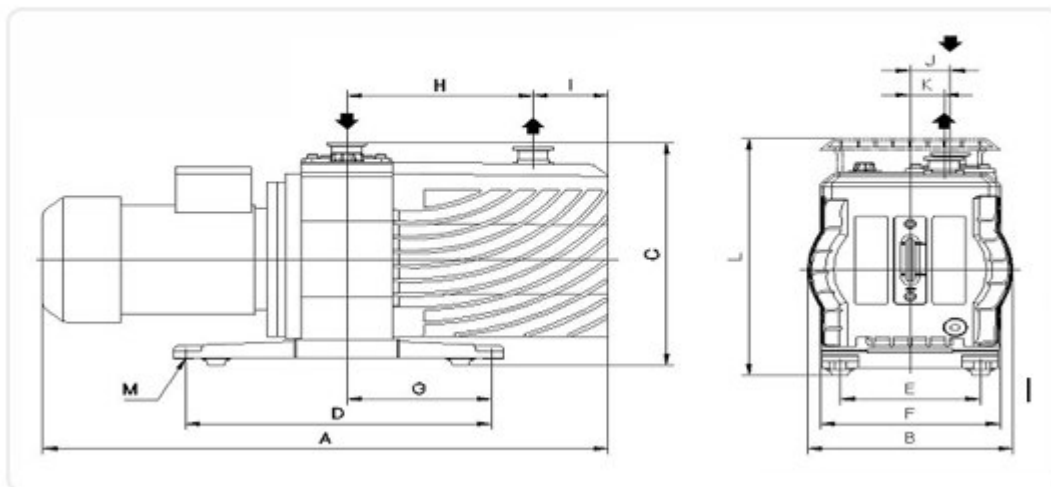
## TRP-6,TRP-12 PUMPING SPEED CURVE



## TRP-Series

### External Dimensions

### TRP-6,TRP-12

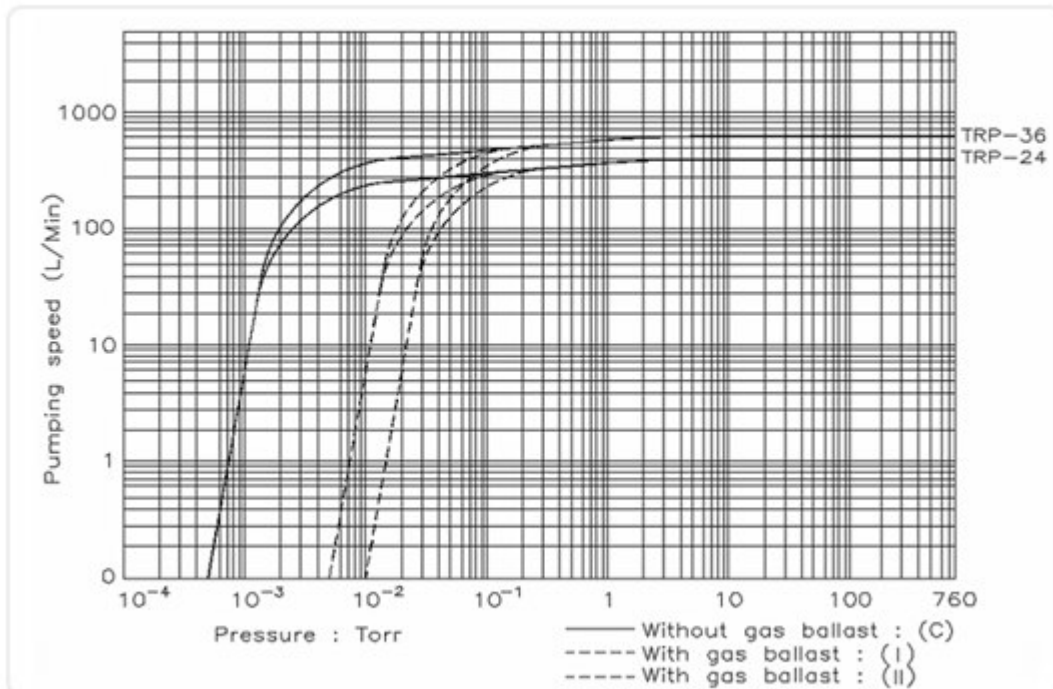


	A	B	C	D	E	F	G	H	I	J	K	L	M
TRP-6	448	165	252	240	120	146	94	120	50	28	24	272	Ø9
TRP-12	473	165	252	240	120	146	94	145	50	28	24	272	Ø9

## TRP-24,TRP-36 TECHNICAL DATA

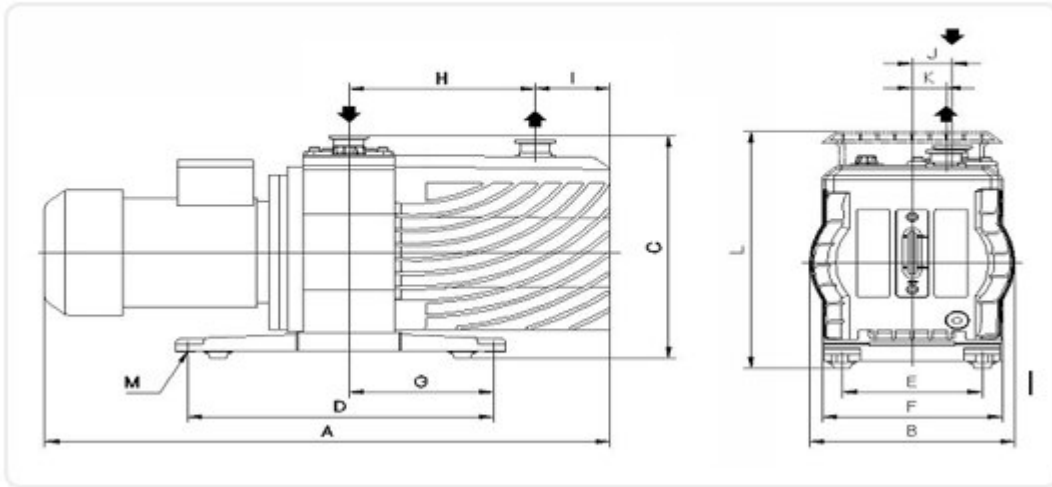
		UNIT	TRP-24	TRP-36
Displacement Speed	60Hz	ℓ /min	400	600
	50Hz	ℓ /min	340	500
Ultimate pressure	Gas ballast C	Torr	$5 \times 10^{-4}$	$5 \times 10^{-4}$
	Gas ballast I	Torr	$5 \times 10^{-3}$	$5 \times 10^{-3}$
	Gas ballast II	Torr	$1 \times 10^{-2}$	$1 \times 10^{-2}$
Water vapor tolerance		Torr	25	25
Oil Filling		ℓ	1.4	1.8
Inlet port		DN	25KF	25KF
Outlet Port		DN	25KF	25KF
Motor Power		kW	0.75	0.75
Rotational speed of pump	60Hz	R.P.M	1750	1750
	50Hz	R.P.M	1450	1450
Noise level(without gas ballast)		dB	52	52
Weight (with motor)		Kg	34	38

## TRP-24,TRP-36 PUMPING SPEED CURVE



TRP-Series  
External Dimensions

TRP-24,TRP-36

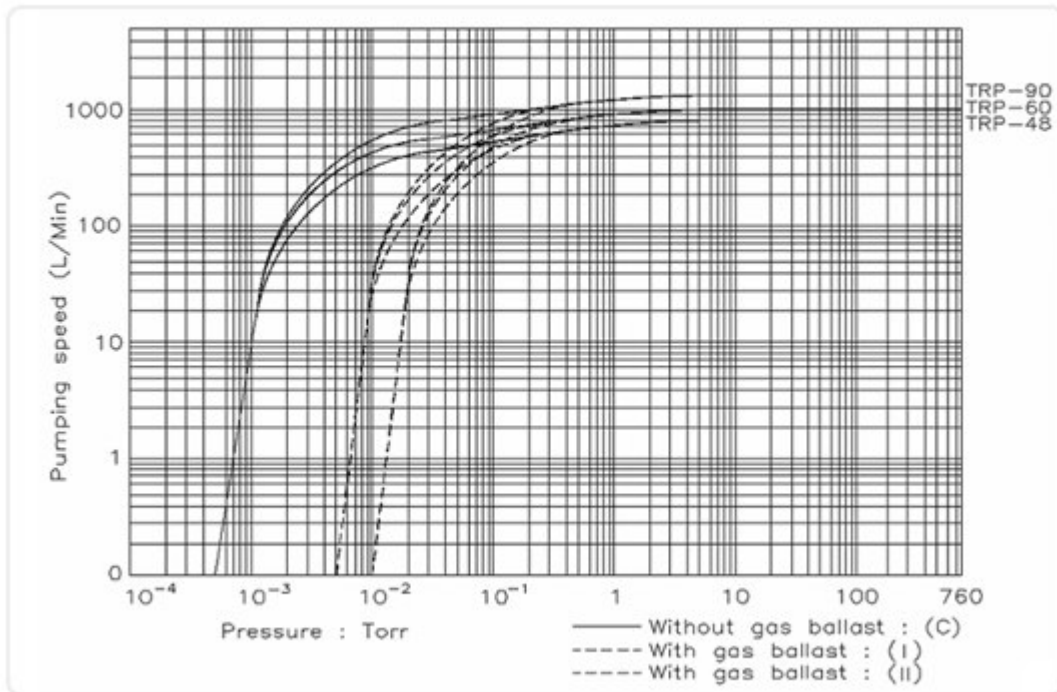


Model	A	B	C	D	E	F	G	H	I	J	K	L	M
TRP-24	535	205	288	310	140	180	147	156	75	40	34	308	Ø12
TRP-36	565	205	288	310	140	180	147	186	75	40	34	308	Ø12

TRP-48,TRP-60,TRP-90 TECHNICAL DATA

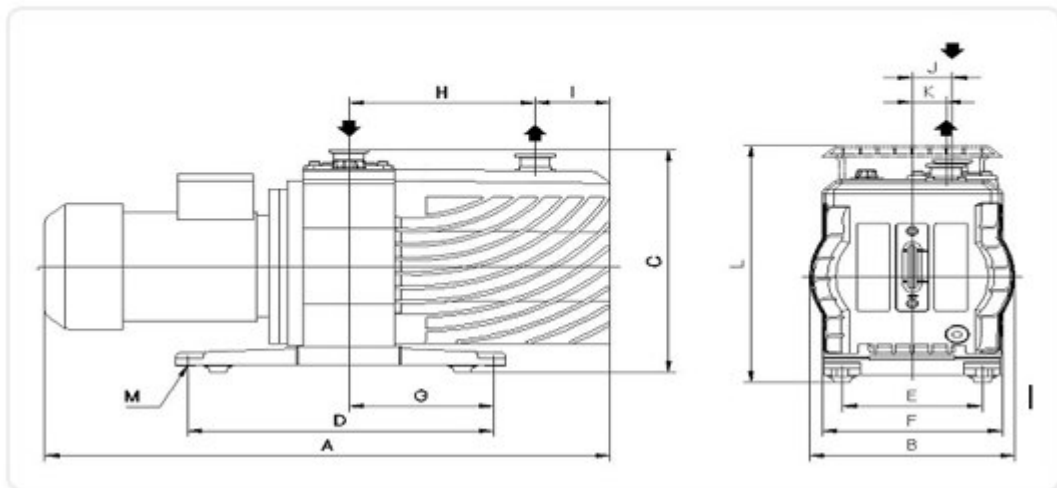
		UNIT	TRP-48	TRP-60	TRP-90
Displacement Speed	60Hz	ℓ /min	800	1000	1500
	50Hz	ℓ /min	670	830	1250
Ultimate pressure	Gas ballast C	Torr	$5 \times 10^{-4}$	$5 \times 10^{-4}$	$5 \times 10^{-4}$
	Gas ballast I	Torr	$5 \times 10^{-3}$	$5 \times 10^{-3}$	$5 \times 10^{-3}$
	Gas ballast II	Torr	$1 \times 10^{-2}$	$1 \times 10^{-2}$	$1 \times 10^{-2}$
Water vapor tolerance		Torr	40	40	40
Oil Filling		ℓ	3.8	5.5	6.5
Inlet port		DN	40KF	40KF	40KF
Outlet Port		DN	40KF	40KF	40KF
Motor Power		kW	1.5	2.2	2.2
Rotational speed of pump	60Hz	R.P.M	1750	1750	1750
	50Hz	R.P.M	1450	1450	1450
Noise level(without gas ballast)		dB	56	56	56
Weight (with motor)		Kg	70	83	89

## TRP-48,TRP-60,TRP-90 PUMPING SPEED CURVE



## TRP-Series External Dimensions

## TRP-48,TRP-60,TRP-90



Model	A	B	C	D	E	F	G	H	I	J	K	L	M
TRP-48	685	250	343	470	155	215	270	235	80	28	45	310	Ø14
TRP-60	751	280	410	550	185	245	305	245	95	28	45	385	Ø14
TRP-90	801	280	410	600	185	245	355	295	95	28	45	385	Ø14